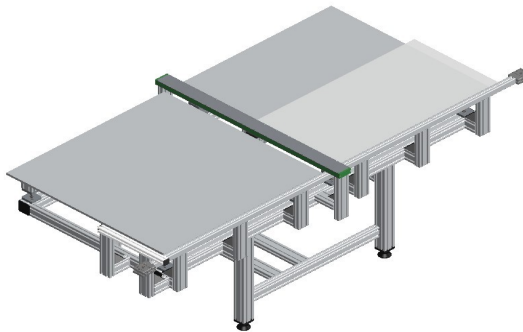


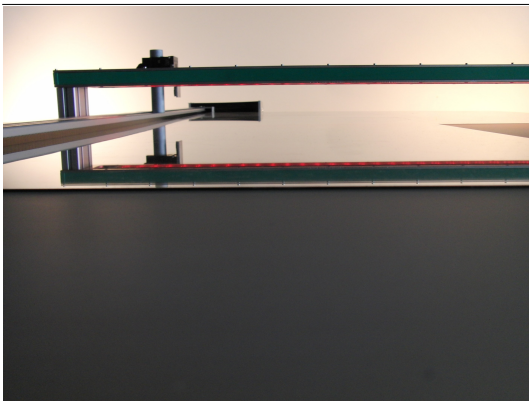
## Glass Handling

## Product Data

# Non-Contact Glass Conveyor



Glass Conveyor



Glass Conveyor G8

Our handling systems using the ultrasound air bearing can be applied in any atmospheric process. The ultrasound air bearing generates a supporting gas-film (air or process-gas) between its surface and the substrate. Thus, any mechanical contact is avoided. The substrate is hovering on the supporting gas film at a height of 50 – 500  $\mu\text{m}$ .

### Modular Design

The non-contact conveyors facilitate a smooth and friction free transport of substrates. The systems are designed as modules which can be assembled to arrays of any length and width.

### Double-Sided Inspection of Substrates

We offer two approaches to realize a double-sided inspection of substrates:

#### Intersection of the transfer system

with a gap up to 20 mm. This gap can easily be crossed by the substrates while the inspection can be done through this gap (e.g. by optical sensors, line cameras).

#### Using glass as material of the transfer system

The substrate can be inspected by optical means through the glass.

### Applications

- Conveying
- Inspection
- Coating

### Highlights

- No mechanical contact between handling-device and substrate
- Handling at processed/coated surfaces

### Your benefits

The ultrasonic suspension technology offers a series of benefits compared to state-of-the-art solutions e.g. standard air bearings:

- No surface contact and therefore no damages due to non-contact handling
- More degrees of freedom in process and machine design
- Modular Design
- No air-supply/conditioning
- No dynamic turbulences in the environmental gas
- Lower energy consumption (up to -85%)
- High planarity of the substrate during transfer process ( $\pm 5\mu\text{m}$ )

Glass Handling

Product Data

## Non-Contact Glass Conveyor

### Technical Data

Length	100 – 1200 mm
Width	100 – 1200 mm
Electrical Equipment	<300 W, 230 / 110 V (AC)
Distance (Tool - Substrate)	50 – 70 µm
Interfaces Available	PROFIBUS, PROFINET, EtherCAT, Digital I/O

# Substrates G1-G11

### Your Experts in Ultrapure Handling

ZS-Handling GmbH  
Budapester Strasse 2  
93055 Regensburg  
Germany

Telephone (EU) +49-941-60389-900  
Fax +49-941-60389-999  
info@zs-handling.com  
www.zs-handling.com